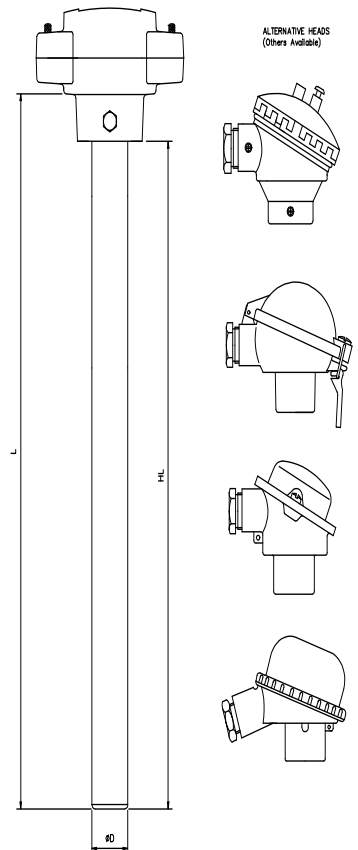




Fabricated Metal Protection Sheath with Head **Page 1**

Type Designation	FMH
Temperature Range	0 to 1400 ° C
Common Materials	See Below
Common Size	Ø 6.0mm to 26.7mm (3/4" Nominal bore)
Application Notes	<ul style="list-style-type: none"> ■ Assembly component (with sensor) ■ Replacement sheath ■ Often has adjustable flange or compression fitting ■ High temperature ■ Fast response ■ Will withstand tough industrial use
Special Options	<ul style="list-style-type: none"> ■ Special materials available on request ■ Wear and Chemical resistant coatings ■ Ceramic lining sheath for rare metal thermocouples ■ Sleeve can be formed into right angle ■ Hygienic designs ■ Process fittings ■ Reduced tip options ■ Pressure testing ■ Material Certificates



Appropriate Sheath Materials	Maximum Temperature
Kanthal AF, Kanthal APM	1400 ° C
353 MA	1175 ° C
253 MA	1150 ° C
446 SS	1100 ° C
310 SS	1100 ° C
Sanicro 31 HT	1100 ° C
Alloy 600 (Inconel®)	1100 ° C
Alloy 800 HT (Incoloy®)	1100 ° C
Hastelloy C276	1040 ° C
Hastelloy B2	815 ° C
321 SS	800 ° C
316 SS	800 ° C
Mild Steel	550 ° C

Visit the Peak Sensors Online design guide at
www.peakensors.com

PEAK SENSORS LTD
 Kelvin House | Station Lane Industrial Estate | Chesterfield | S41 9QX | United Kingdom
 TEL: **+44 (0)1246 261999** | FAX: **+44 (0)1246 261888**

The technical information provided on any pages of the Peak Sensors brochure is advisory only and should not be relied on for any design, process or production. We will be pleased to undertake specific technical advisory work under our normal terms of service. Peak Sensors Ltd accepts no responsibility for any loss or damage caused through reliance on any information contained therein.



Fabricated Metal Protection Sheath with Head **Page 2**

Insert Types that can be used in this protection sheath

<i>Mineral Insulated Inserts</i>	<i>Thermocouple</i>	<i>RT or Thermistor</i>
Mineral Insulated Insert with Transmitter	MTT	MRT
Mineral Insulated with Pot seal & Flexible tails	MTP	MRP
Mineral Insulated Insert with Block	MTI	MRI
Mineral Insulated Insert with DIN Plate	MTD	MRD
<hr/>		
<i>Rigid Metal Tube Inserts</i>		
Tube Sensor with Lead and Flexible tails	TTF	TRF
Insert with DIN Plate	TTD	TRD
Insert with Block	TTI	TRI
Insert with Transmitter	TTT	TRT
<hr/>		
<i>Cable Inserts</i>		
Basic Insulated Element	BTE	

Visit the Peak Sensors Online design guide at
www.peaksensors.com

PEAK SENSORS LTD

Kelvin House | Station Lane Industrial Estate | Chesterfield | S41 9QX | United Kingdom

TEL: **+44 (0)1246 261999** | FAX: **+44 (0)1246 261888**

The technical information provided on any pages of the Peak Sensors brochure is advisory only and should not be relied on for any design, process or production. We will be pleased to undertake specific technical advisory work under our normal terms of service. Peak Sensors Ltd accepts no responsibility for any loss or damage caused through reliance on any information contained therein.