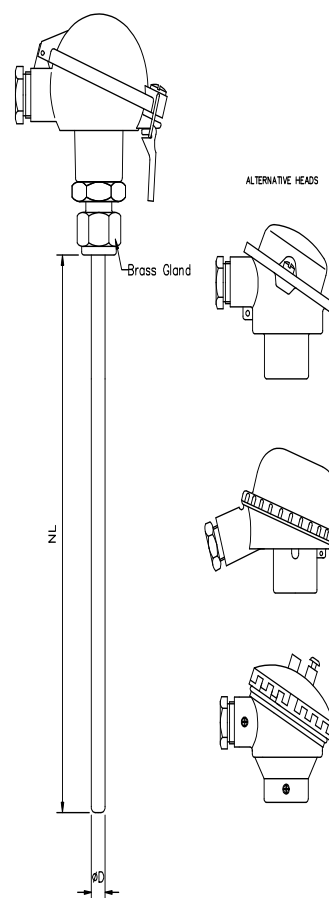




## Mineral Insulated Thermocouple with Head

Type Designation	<b>MTH</b>
Measuring Range	<b>-200 to + 1250 ° C</b>
Common Sensor Types	<b>K,J,N,T,E</b>
Common Diameters	<b>Ø 3.0, Ø 6.0, Ø 8.0mm</b>
Common Protection Sheaths	<b>321 SS, 310 SS, Inconel, Pyrosil.</b>
Block size	<b>Ø 41mm, Screws 33mm PCD</b>
Cold End Max Temperature	<b>150 ° C</b>
Application Notes	<ul style="list-style-type: none"> <li>■ <b>Good as test probe.</b></li> <li>■ <b>Used with or without thermowell</b></li> <li>■ <b>Isothermal head enclosure for accuracy</b></li> <li>■ <b>Protected terminations</b></li> </ul>
Special Options	<ul style="list-style-type: none"> <li>■ <b>Duplex</b></li> <li>■ <b>Insulated Exposed or Grounded junction</b></li> <li>■ <b>Various IP rated heads available</b></li> <li>■ <b>Compression Fitting</b></li> <li>■ <b>Transmitter available in head</b></li> <li>■ <b>Can be supplied without adaptor "A" for connection to nipple</b></li> <li>■ <b>Tagging</b></li> </ul>



Visit the Peak Sensors Online design guide at  
[www.peakensors.com](http://www.peakensors.com)

PEAK SENSORS LTD

Kelvin House | Station Lane Industrial Estate | Chesterfield | S41 9QX | United Kingdom

TEL: **+44 (0)1246 261999** | FAX: **+44 (0)1246 261888**

The technical information provided on any pages of the Peak Sensors brochure is advisory only and should not be relied on for any design, process or production. We will be pleased to undertake specific technical advisory work under our normal terms of service. Peak Sensors Ltd accepts no responsibility for any loss or damage caused through reliance on any information contained therein.