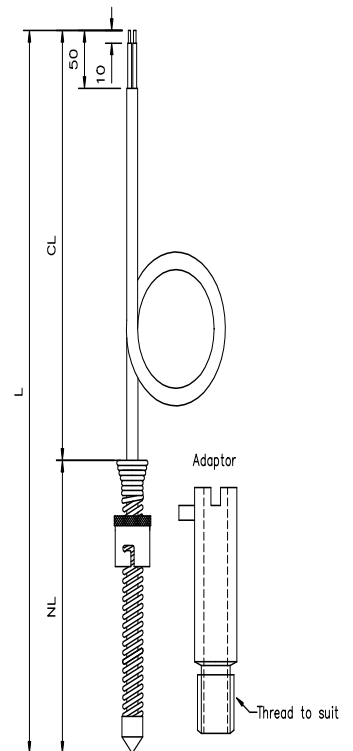




Plastic Extruder Sensor

Type Designation	PES
Temperature Range	0 to 350 ° C
Common Sensor Types	K,J,N,T,E
Common Material	Stainless Steel
Common Size	3/16", 5.0mm, 6.0mm, 1/4", 8.0mm. Single slot
Application Notes	<ul style="list-style-type: none"> ■ Grounded Junction ■ Bayonet cap can be moved up and down spring
Special Options	<ul style="list-style-type: none"> ■ Isolated Junction ■ Duplex ■ Twin slot ■ Plug or socket termination ■ Armoured cable ■ Many cap sizes and adapters available ■ Bent sheath



Visit the Peak Sensors Online design guide at
www.peakensors.com

PEAK SENSORS LTD

Kelvin House | Station Lane Industrial Estate | Chesterfield | S41 9QX | United Kingdom

TEL: **+44 (0)1246 261999** | FAX: **+44 (0)1246 261888**

The technical information provided on any pages of the Peak Sensors brochure is advisory only and should not be relied on for any design, process or production. We will be pleased to undertake specific technical advisory work under our normal terms of service. Peak Sensors Ltd accepts no responsibility for any loss or damage caused through reliance on any information contained therein.