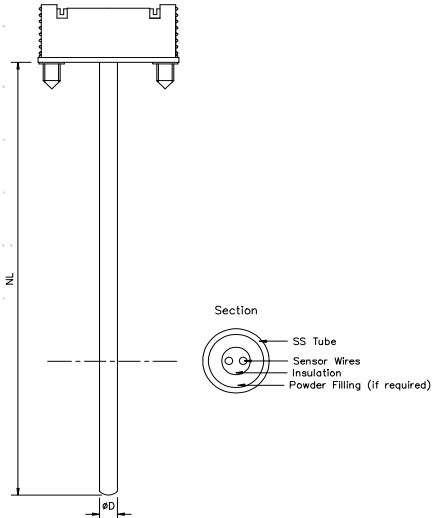




Thermocouple Insert with Transmitter

Type Designation	TTT
Measuring Range	-200 to + 800 ° C
Common Sensor Types	K,J,N,T,E
Common Diameters	Ø 6.0, 8.0mm
Common Sheaths	321 SS.
Head connection	M4 Screws 33mm PCD
Cold End Max Temperature	Depends on transmitter used
Application Notes	<ul style="list-style-type: none"> ■ Inexpensive sensor ■ Very cheap design if maximum is 225 ° C ■ Range & burnout result must be specified, ■ Used in Pocket/head assemblies ■ Compression Fitting ■ Suitable for quick replacement on plants ■ Industry standard size
Special Options	<ul style="list-style-type: none"> ■ Please specify preferred transmitter model ■ Duplex ■ Insulated Exposed or Grounded junction ■ Tagging



Visit the Peak Sensors Online design guide at www.peakensors.com

PEAK SENSORS LTD
 Kelvin House | Station Lane Industrial Estate | Chesterfield | S41 9QX | United Kingdom
 TEL: **+44 (0)1246 261999** | FAX: **+44 (0)1246 261888**

The technical information provided on any pages of the Peak Sensors brochure is advisory only and should not be relied on for any design, process or production. We will be pleased to undertake specific technical advisory work under our normal terms of service. Peak Sensors Ltd accepts no responsibility for any loss or damage caused through reliance on any information contained therein.